



DECOWOOD LINEA'TOUCH

ANODISED LINEA'TOUCH

Bactericidal joint



▶ TRILOBED WOOD EFFECT AND ALUMINIUM HANDRAILS - 40 MM WIDTH

Applications

With a wood effect or aluminium finish (satin silver anodised), the Linea'Touch handrails combine design, ergonomics and elegance.

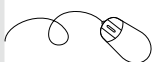
Their exclusive trilobed shape, validated by ergonomists, provides an excellent grip discreetly. Thanks to their large choice of accessories, they fit into all insides of buildings open to the public with light traffic: corridors and staircases in retirement homes, schools, hotels, apartment blocks, public buildings, offices.

They can be bent and provide various technical solutions for continuity in staircases and in front of service ducts.

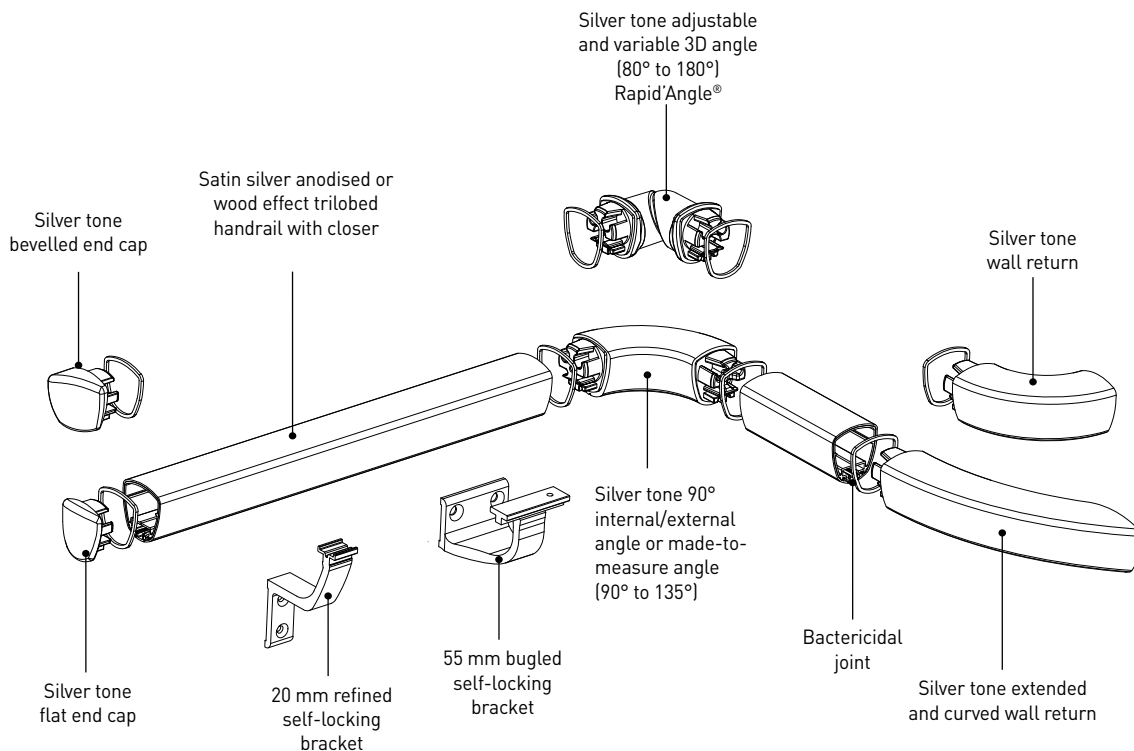
They are fitted with bactericidal joints.

Description

- Model: Linea'Touch Decowood or anodised trilobed handrail
- Section: Height 42 mm - Width 40 mm
- Length: 4 m
- Overall projection: 80 mm (90 mm on request)
- Stand-off from wall: 40 mm (50 mm on request)
- Material: 10 micron satin silver anodised aluminium or aluminium with wood effect PVC.
Bactericidal joint
- Fixing components: 2-point self-locking refined aluminium brackets, silver anodised effect screwed to wall at 1.20 m centres (0.80 m centres in heavy traffic corridors and on light partitions like plasterboard)
- Colours: 5 wood effect decors for Linea'Touch Decowood and satin silver anodised for Anodised Linea'Touch



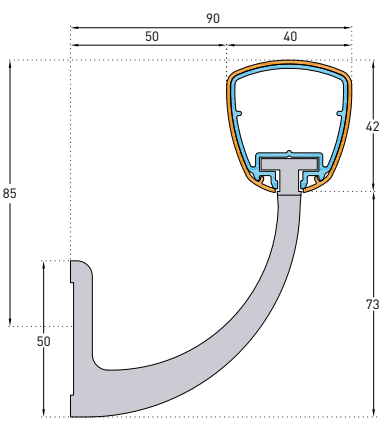
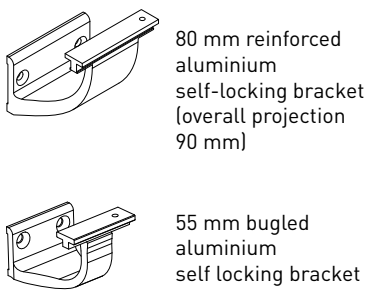
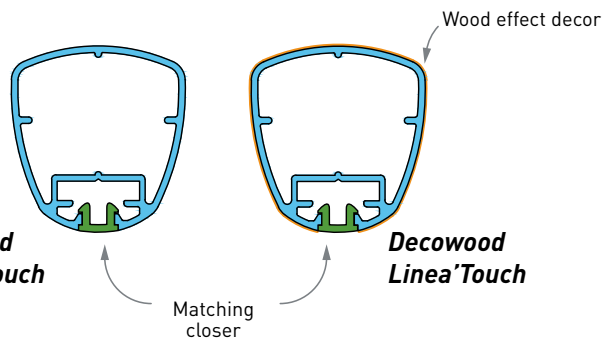
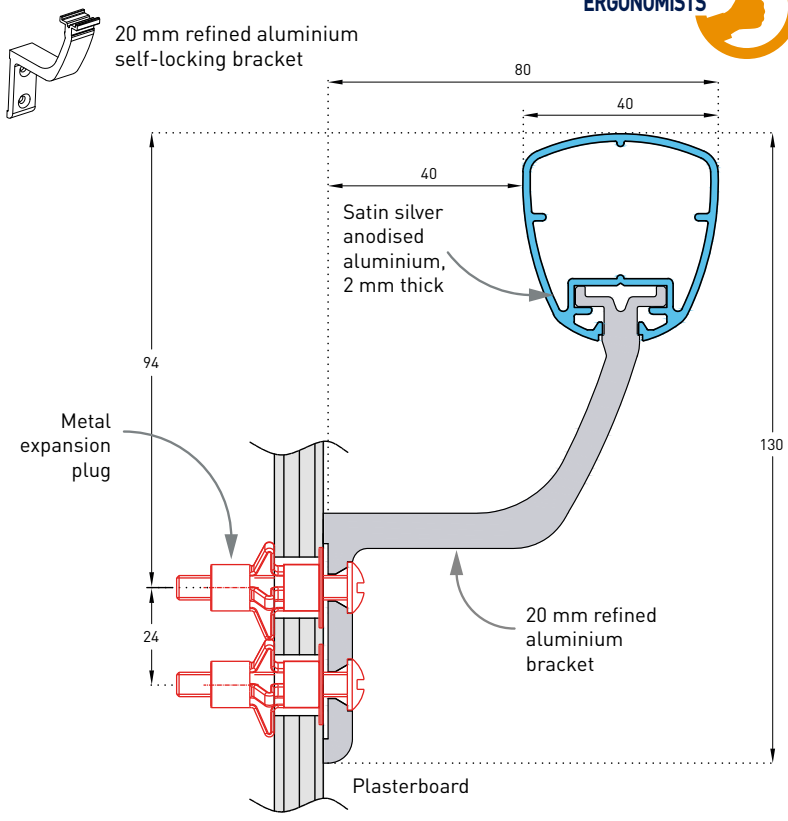
Specification and technical drawings can be downloaded from our website www.gerflor.com



Decowood Linea'Touch
5 wood effect decors



Anodised
Linea'Touch



Specification

- Description: The selected wood effect or anodised handrail (Decowood Linea'Touch or Anodised Linea'Touch as manufactured by Gerflor) is a trilobed, wood effect PVC or satin silver anodised handrail with a cross section from 28 to 40 mm to give it an ergonomic and anti-rotation design. It is 42 mm deep and projects 80 mm from the wall. The axial position of its brackets provide an excellent handhold. It consists of a 2 mm satin silver anodised aluminium profile (anodised Linea'Touch) or of a 2 mm aluminium profile covered with wood effect PVC film (Decowood Linea'Touch) and a closer underneath. A protective film is specified to minimise cleaning before acceptance. Various accessories in silver tone PVC (flat or bevelled endcaps, classic or extended and curved wall returns) are available to finish the handrail assembly. All technical solutions are available to ensure continuity around corners (90° or made-to-measure), in staircases (Rapid'Angle 3-way "universal joint" rotation), across service ducts (Quick-removable assembly wedge) and around curved sections (pre-curved in the factory). These antibacterial PVC accessories connect to the profile with joiner pieces supplied with flexible bactericidal joints. Wall fixing is by 20 mm refined aluminium brackets with 2 self-locking attachment points. This handrail achieves Bs2d0 fire-rating and an impact resistance in excess of 70 Joules, i.e., an impact of more than 220 kg travelling at 2 kmh.
- Environment: : No heavy metals and no substance potentially subjected to any REACH restriction are used in its manufacture, nor PBT/PBA. The calcium-zinc thermal stabilisation process is used. The emission level of volatile substance in inside air has been tested according to ISO 16000-6 and is very low (A+) according to the french regulation [23 march 2011 nr 2011-321 Decree and 19 April 2011 Order]. 100% of the product are recyclable.
- Colour: selected by architects from manufacturer's standard range.
- Installation method: upper edge of section 0.90 m max. above floor level. Fixes to 2-point self-locking aluminium brackets at 1.20 m centres (0.80 m centres in heavy traffic areas and on light partitions like plasterboard). Wall returns, end caps and angles to be fixed with 2.5 mm Allen clamping screws.

To find the colours available for each product, please see the summary table for the range at the end of this Guide.